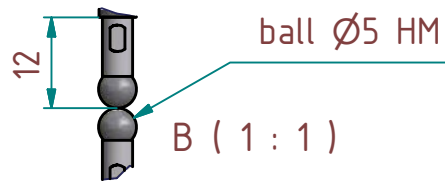
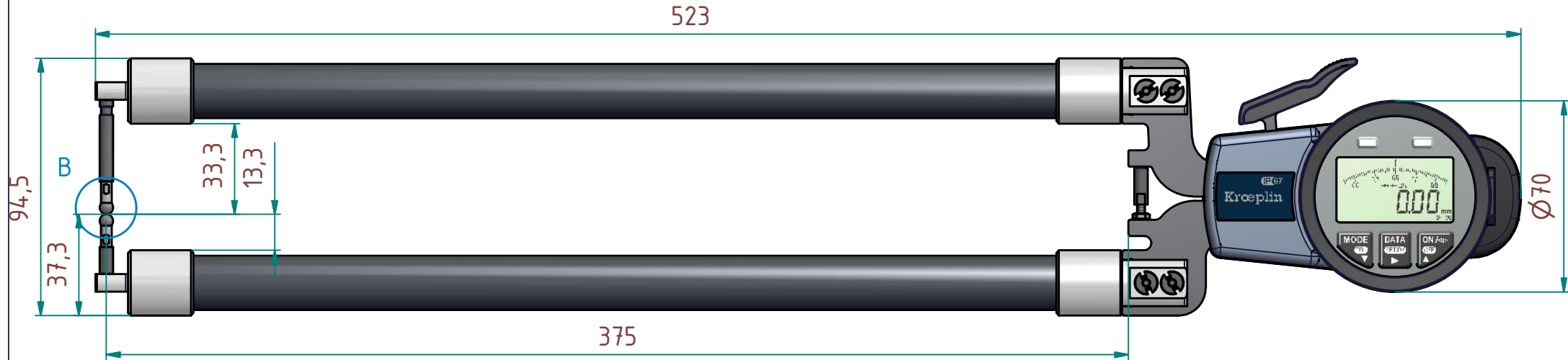


data sheet: C8R100

Kroeplin GmbH
Gartenstraße 50
D-36381 Schlüchtern

Tel.: 06661 86 0
Fax: 06661 86 39
Mail: sales@kroeplin.com
Web: www.kroeplin.com

Kroeplin
Längenmesstechnik



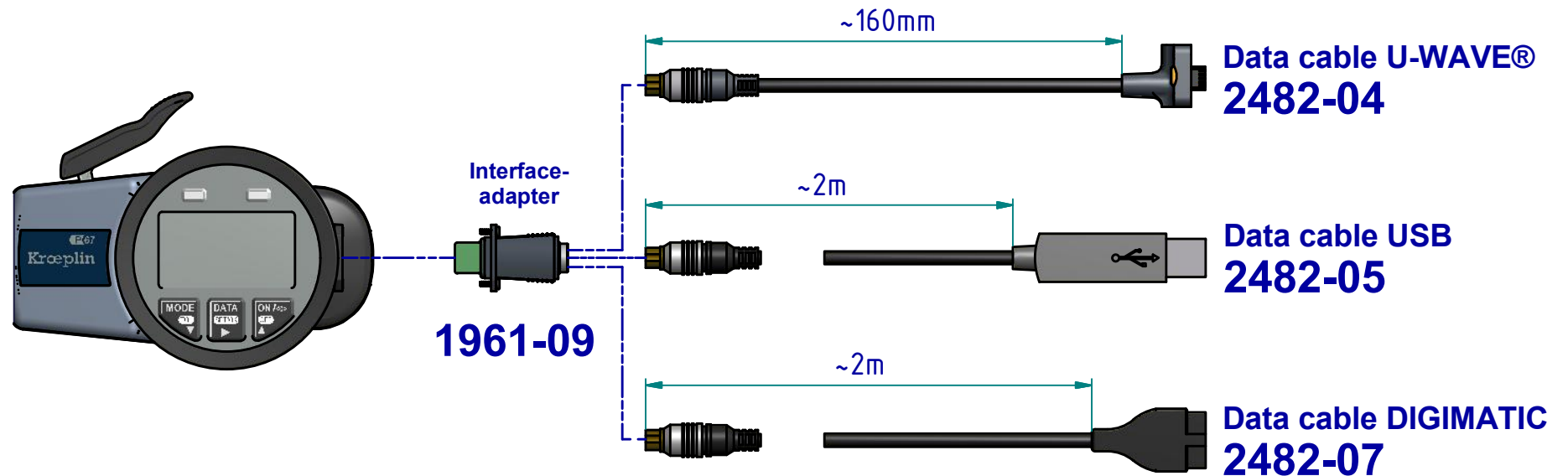
subject to technical alterations

type: E200
range: 0 - 100 mm
range of indication: 0 - 101 mm
digital step: 0,05 mm
scale interval:
measuring force: 0,8 - 1,8 N
weight: 660 g

acceptable deviations
VDI/VDE/DGQ 2618 Bl. 12.1/13.1)
max. permissible errors "G": 0,15 mm
repeatability "r": 0,10 mm
reference temperature: 20° C
operation temperature: 10° C - 30° C
storage temperature: -10° C - 50° C

scale: 1 : 2
drawing-nr.: DAB-C8R100_KR_en
date of issue: 12.04.2013
name: Lange
revision status: 2121 / MHe
revision date: 26.08.2015

interface as accessories available:



subject to technical alterations

drawing-nr.:	DAB-C8R100_KR_en
date of issue:	12.04.2013
name:	Lange
revision status:	2121 / MHe
revision date:	26.08.2015